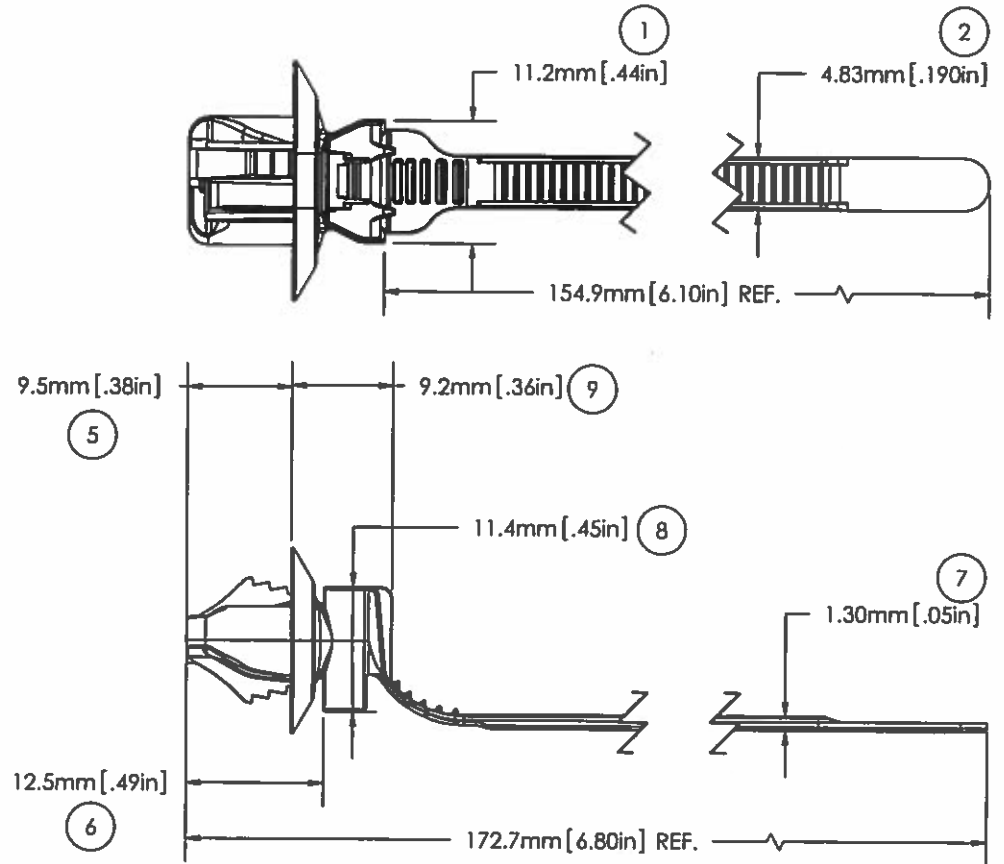
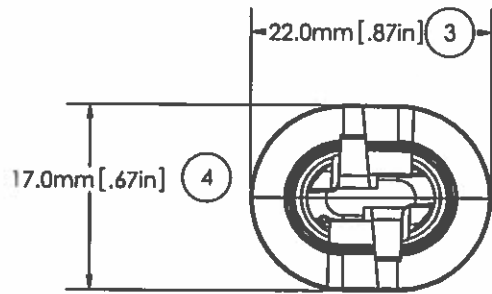
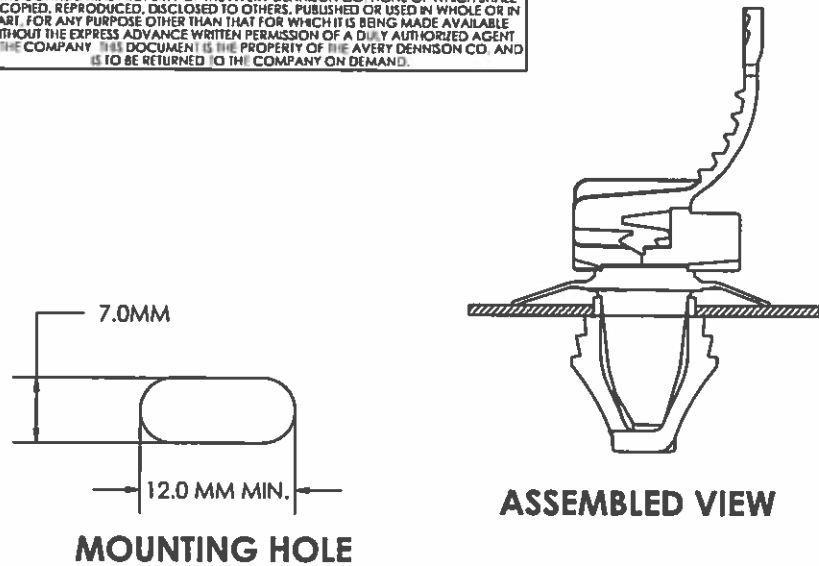


AVERY DENNISON MARKETING SPECIFICATION

THE SUBJECT MATTER DISCLOSED HEREIN EMBODIES PROPRIETARY INFORMATION WHICH IS THE CONFIDENTIAL PROPERTY OF THE AVERY DENNISON CO. NONE OF WHICH SHALL BE COPIED, REPRODUCED, DISCLOSED TO OTHERS, PUBLISHED OR USED IN WHOLE OR IN PART, FOR ANY PURPOSE OTHER THAN THAT FOR WHICH IT IS BEING MADE AVAILABLE WITHOUT THE EXPRESS ADVANCE WRITTEN PERMISSION OF A DULY AUTHORIZED AGENT OF THE COMPANY. THIS DOCUMENT IS THE PROPERTY OF THE AVERY DENNISON CO. AND IS TO BE RETURNED TO THE COMPANY ON DEMAND.

HISTORY		
REV.	DATE	DESCRIPTION
A	3.17.17	RELEASED TO PRODUCTION



⑩	△	FLAMMABILITY:	HB RATED PER FMVSS302
⑪	△	TENSILE STRENGTH:	50 LBF / 222N MIN.
		PANEL THICKNESS RANGE:	0.6MM TO 3.0MM THK.
		MOUNTING:	7MM X12MM MIN. SLOTTED HOLE
		WEIGHT:	1.86 GRAMS
		TEMPERATURE RANGE:	-40°F (-40°C) TO 239°F (115°C) CONTINUOUS AND 257°F (125°C) AT MAXIMUM EXPOSURE
		BUNDLE DIAMETER:	Ø 1.6MM TO Ø 38.1MM
		TOOL:	12001- HAND INSTALLATION TOOL 12500- PNUM. INSTALLATION TOOL
		TOOL TENSION SETTING:	6 - 8
		PACKAGING:	500/BAG, 10 BAGS/MASTER

△ INDICATES SPECIAL CHARACTERISTICS

APPROVALS: ENG. APPR. *[Signature]* 3/17/17
Q.A. APPR. *[Signature]* 3/17/17

SPECIFIED TOLERANCES ARE:

.XX ± .03 INCHES .X ± .7 MM
.XXX ± .010 INCHES .XX ± .25 MM
ANGULAR: ± 2°

MATERIAL: NYLON 6/6, HEAT STABILIZED
COLOR: BLACK

AVERY DENNISON

FASTENER DIVISION
RITCHBURG, MA 01420 U.S.A.
TEL: 1-800-225-3913
FAX: 978-353-8157

DESCRIPTION: **DIRECTIONAL SLOT TIE**
STOCK NO.: **20178-0**
REV.: **A**